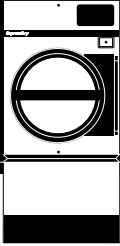




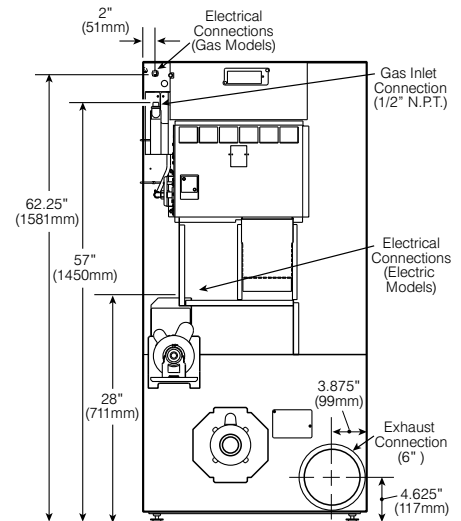
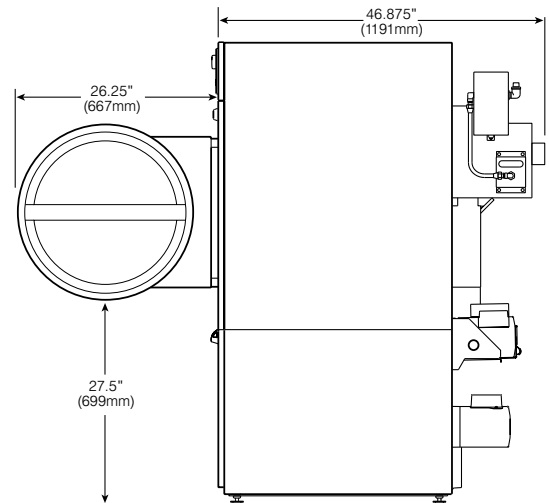
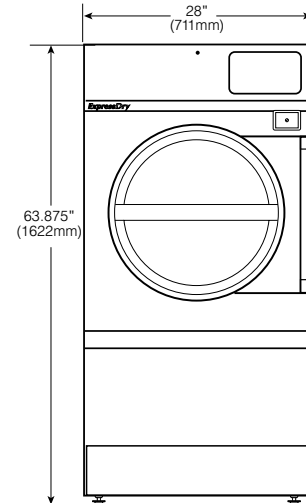
2500 State Road 44 • Oshkosh, WI 54904  
 920.231.8222 • FAX 920.231.4666  
[www.continentalgirbau.com](http://www.continentalgirbau.com)



# ExpressDry30

VENDED EXPRESSDRY 30-POUND CAPACITY  
 SINGLE-POCKET DRYING TUMBLERS

Capacity <i>lbs (kg)</i>	30 (13.6)
Cylinder Diameter <i>inch (mm)</i>	26.5 (673)
Cylinder Depth <i>inch (mm)</i>	30 (762)
Cylinder Volume <i>cu ft (dm<sup>3</sup>)</i>	9.6 (272)
Net Weight <i>lbs (kg)</i>	331 (150)
Crated Weight <i>lbs (kg)</i>	364 (165)
Machine Width <i>inch (mm)</i>	28 (711)
Machine Depth <i>inch (mm)</i>	46.875 (1191)
Machine Height <i>inch (mm)</i>	63.875 (1622)
Door Opening <i>inch (mm)</i>	22.68 (576)
Floor to Door <i>inch (mm)</i>	27.5 (699)
Shipping Dimensions <i>inch (mm)</i> (WxDxH)	30 x 49 x 69 (762 x 1245 x 1753)
Motor Power <i>Hp</i>	2 @ 1/4
Exhaust Diameter <i>inch (mm)</i>	6 (152)
Exhaust Air Flow <i>cfm (l/s)</i>	500 (236)
Electric Heating <i>kW</i>	21
Gas Connection <i>inch (mm)</i>	1/2 N.P.T. (12.7)
Gas Heating <i>BTU/h (Kcal/h)</i>	73000 (18390)
Available Voltages/Wire Conductor/Amp	
Gas	100/60/1, 1W+N+G, 11 120/60/1, 1W+N+G, 12 200-220/60/1, 1W+N+G, 5.8 208-240/60/1, 2W+N+G, 6.7 200-208/60/3, 3W+G, 3.2 240/60/3, 3W+G, 3.2 380/60/3, 3W+G, 1.5 460-480/60/3, 3W+G, 1.6
Electric	208/60/1, 2W+N+G, 108 240/60/1, 2W+N+G, 94 200/60/1, 1W+N+G, 108 200-208/60/3, 3W+G, 62 240/60/3, 3W+G, 54 380/60/3, 3W+G, 33 460-480/60/3, 3W+G, 27
Make-up Air Supply <i>inch<sup>2</sup> (cm<sup>2</sup>)</i>	110 (710)



\* Specifications subject to change without notice or obligation. Call Continental Girbau, Inc for dimensions not shown or for clarification.